

1. Approving National Aviation Authority/Country: FAA /United States	2	3. Form Tracking Number: 02-04-120SPARE
---	---	---

AUTHORIZED RELEASE CERTIFICATE

FAA Form 8130-3, AIRWORTHINESS APPROVAL TAG

4. Organization Name and Address: C&D Interiors Division of C&D Aerospace 14 CENTERPOINTE DRIVE LA PALMA, CA 90623 U.S.A.	PQ1176NM-OD-74	5. Work Order/Contract/Invoice Number: W/ORDER#37740 INV# 890117
---	----------------	--

6. Item:	7. Description:	8. Part Number:	9. Eligibility*:	10. Quantity:	11. Serial/Batch Number:	12. Status/Work:
1	LSI EXIT SIGN	6000 36	EMB-145/135ER EMB-145/135MR EMB-145/135LR	1 EA	N/A	NEW

13. Remarks:
AIRWORTHINESS APPROVAL PARTS
FAA PMA T.C. T00011AT

14. Certifies the items identified above were manufactured in conformity to: <input checked="" type="checkbox"/> Approved design data and are in a condition for safe operation. <input type="checkbox"/> Non-approved design data specified in Block 13.	19. <input type="checkbox"/> 14 CFR 43.9 Return to Service <input type="checkbox"/> Other regulation specified in Block 13 Certifies that unless otherwise specified in Block 13, the work identified in Block 12 and described in Block 13 was accomplished in accordance with Title 14, Code of Federal Regulations, part 43 and in respect to that work, the items are approved for return to service.
---	--

15. Authorized Signature: <i>Prisciliano Velasquez</i>	16. Approval/Authorization No.: ODARF600017NM	20. Authorized Signature: N/A	21. Approval/Certificate No.: N/A
17. Name (Typed or Printed): PRISCILIANO VELASQUEZ	18. Date (m/d/y): 02/10/04	22. Name (Typed or Printed): N/A	23. Date (m/d/y):

User/Installer Responsibilities

It is important to understand that the existence of this document alone does not automatically constitute authority to install the part/component/assembly. Where the user/installer performs work in accordance with the national regulations of an airworthiness authority different than the airworthiness authority of the country specified in Block 1, it is essential that the user/installer ensures that his/her airworthiness authority accepts parts/components/assemblies from the airworthiness authority of the country specified in Block 1.

Statements in Blocks 14 and 19 do not constitute installation certification. In all cases, aircraft maintenance records must contain an installation certification issued in accordance with the national regulations by the user/installer before the aircraft may be flown.

1. Approving Civil Aviation Authority/Country: FAA/UNITED STATES	2. AUTHORIZED RELEASE CERTIFICATE FAA Form 8130-3, AIRWORTHINESS APPROVAL TAG	3. Form Tracking Number: 362396
--	--	---

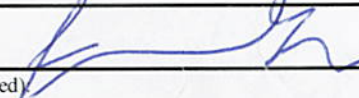
4. Organization Name and Address: Niacc-Avitech Technologies 245 W. Dakota Ave. FAA Approved CRS DC3R444L Clovis, , CA 93612	FAA Certificate :DC3R444L	5. Work Order/Contract/Invoice Number: S2684
--	---------------------------	--

6. Item:	7. Description:	8. Part Number:	9. Quantity:	10. Serial Number:	11. Status/Work:
1	Transducer, Anti-Ice	APS-7-1000	1 EA	6558-3-32	TESTED

12. Remarks:
INSPECTED AND TESTED IAW KULITE ACMM ATA 30-10-00, 30-12-12, 30-11-11, REV 5 DATED 3/3/11.
FULL DETAILS ON WORK ORDER 362396

Certifies work specified in Blocks 11/12 was carried out in accordance with EASA part 145, and with respect to that work, the component is considered ready for release to service under EASA part 145 Approval Number EASA 145-5083.

13a. Certifies the items identified above were manufactured in conformity to: <input type="checkbox"/> Approved design data and are in a condition for safe operation. <input type="checkbox"/> Non-approved design data specified in Block 12.	14a. <input checked="" type="checkbox"/> 14 CFR 43.9 Return to Service <input checked="" type="checkbox"/> Other regulation specified in Block 12 Certifies that unless otherwise specified in Block 12, the work identified in Block 11 and described in Block 12 was accomplished in accordance with Title 14, Code of Federal Regulations, part 43 and in respect to that work, the items are approved for return to service.
---	---

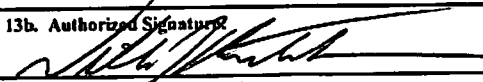
13b. Authorized Signature:	13c. Approval/Authorization No.:	14b. Authorized Signature: 	14c. Approval/Certificate No.: DC3R444L
13d. Name (Typed or Printed):	13e. Date (dd/mmm/yyyy):	14d. Name (Typed or Printed): Jerome Gay	14e. Date (dd/mmm/yyyy): 23Nov2015

User/Installer Responsibilities

It is important to understand that the existence of this document alone does not automatically constitute authority to install the aircraft engine/propeller/article.

Where the user/installer performs work in accordance with the national regulations of an airworthiness authority different than the airworthiness authority of the country specified in Block 1, it is essential that the user/installer ensures that his/her airworthiness authority accepts aircraft engine(s)/propeller(s)/article(s) from the airworthiness authority of the country specified in Block 1.

Statements in Blocks 13a and 14a do not constitute installation certification. In all cases, aircraft maintenance records must contain an installation certification issued in accordance with the national regulations by the user/installer before the aircraft may be flown.

1. Approving Civil Aviation Authority/Country: FAA/UNITED STATES		2. AUTHORIZED RELEASE CERTIFICATE FAA Form 8130-3, AIRWORTHINESS APPROVAL TAG			3. Form Tracking Number: 16-0 556	
4. Organization Name and Address: PTQ1084NE		5. EDO CORPORATION ANTENNA PRODUCTS & TECHNOLOGIES 585 JOHNSON AVENUE, BOHEMIA, NY 11716 USA			5. Work Order/Contract/Invoice Number: S.O.# SO-019711 P.O.# 45430751	
6. Item:	7. Description:	8. Part Number:	9. Quantity:	10. Serial Number:	11. Status/Work:	
1	326D01702 ANTENNA ASSY	DMN4-17-1/N 261D1988 REV T 11/15/01	10	36936, 36937, 36938 THRU 36945	"NEW"	
12. Remarks: AIRWORTHINESS APPROVAL		TSO APPROVED: Item: 1 C34e, C36e, C40c				
13a. Certifies the items identified above were manufactured in conformity to: <input checked="" type="checkbox"/> Approved design data and are in a condition for safe operation. <input type="checkbox"/> Non-approved design data specified in Block 12.			14a. <input type="checkbox"/> 14 CFR 43.9 Return to Service <input checked="" type="checkbox"/> Other regulation specified in Block 12. Certifies that unless otherwise specified in Block 12, the work identified in Block 11 and described in Block 12 was accomplished in accordance with Title 14, Code of Federal Regulations, part 43 and in respect to that work, the items are approved for return to service.			
13b. Authorized Signature: 		13c. Approval/Authorization No.: 370335205	14b. Authorized Signature:		14c. Approval Certificate No.:	
13d. Name (Typed or Printed): William J. Kremlicka		13e. Date (dd/mmm/yyyy): 31 Aug 2016	14d. Name (Typed or Printed):		14e. Date (dd/mmm/yyyy):	
User/Installer Responsibilities						
<p>It is important to understand that the existence of this document alone does not automatically constitute authority to install the aircraft engine/propeller/article.</p> <p>Where the user/installer performs work in accordance with the national regulations of an airworthiness authority different than the airworthiness authority of the country specified in Block 1, it is essential that the user/installer ensures that his/her airworthiness authority accepts aircraft engine(s)/propeller(s)/article(s) from the airworthiness authority of the country specified in Block 1.</p> <p>Statements in Blocks 13a and 14a do not constitute installation certification. In all cases, aircraft maintenance records must contain an installation certification issued in accordance with the national regulations by the user/installer before the aircraft may be flown.</p>						



Packing Slip No: PS-056429
Sales Order: SO-019711

Page: 1 of 1
Date: 08/23/16

Sold To: AVIALL
ATTN: ACCOUNTS PAYABLE
P.O. BOX 619048
DALLAS, TX 75291-9048

Ship To: AVIALL
2750 REGENT BLVD
AVIALL CENTRAL WAREHOUSE
DFW AIRPORT
IRVING, TX 75261

Contact :
Currency: USD

ORDER DATE	SALES REPRESENTATIVE	TERMS	DELIVERY TERMS	SHIP VIA	CUSTOMER PURCHASE ORDER		
04/27/16		NET 30	COLL/SHIP PNT	FEDEX GROUND	45430751		
LINE	ITEM/DESCRIPTION	REV	DUE DATE	U/M	SHIP QUANTITY	NET UNIT PRICE	EXTENDED PRICE
1	N4-17-1/N CLIN: 10 326D01702 ANTENNA ASSY Cust Item: DMN4-17-1/N			EA	10.0000		
<p style="text-align: center;">***** CSU 9-12 DOMESTIC FAA TAG REQUIRED FEDEX GROUND 0756-6857-2. *****</p> <p>The item(s) listed above have been inspected and tested to applicable drawings and specifications, and have been found to conform in all aspects. Records documenting this conformance are on file at this location.</p> <p>Signature: <u><i>[Signature]</i></u></p> <p>Date: <u><i>Aug. 31, 2016</i></u></p>							

S/N
36936, 36937
36938 - 36945

MTHOMAS
09/15/16



ORIGINAL

AVIALL - TRUE CERTIFIED COPY | 03/10/2017 | Ship #: 8004228101 | Line: 10 | 7364359961 | Qty: 3 | CPO: PO459031017RYDYD101



PACKING LIST



PAGE:1 of 1
DATE:10MAR17
TIME:20:20:53
EMP:00025078
ORD TYP: ZSO 102
CURRENCY:USD
TERMS:Credit Card

DELIVERY NUMBER: 8004228101

ROUTE: US FedEx Priority Overnight

CUSTOMER PO:PO459031017RYDYDT01
ORDER NUMBER:1002926686
ORDER DATE:10MAR17

B 10070019
I AERODYNAMICS INC
L ACCOUNTING DEPT
L 816 SW 1ST AVE 3RD FLOOR
T PORTLAND OR 97204
O USA

S 20182797
H AERODYNAMICS INC
I SUITE 500 114 TOWNPARK LANE
P KENNESAW GA 30144
T USA
O

S 1000
H AVIALL CENTRAL WAREHOUSE
I DALLAS CDC
P 2750 REGENT BLVD
F DFW AIRPORT TX 75261
R USA
M

LINE	PO LINE	MFG	ITEM DESCRIPTION	ORDER QUANTITY	SHIP QUANTITY	QUANTITY BACK ORDER	UOM		CUSTOMER PRICE	EXTENDED CUSTOMER PRICE
00010	0	1X	DMN4-17-1N ANTENNA: VOR/LOC/GLIDE SLOPE	3	3	0	EA		570.00	1,710.00
			BATCH 7364359961		3					

**This is not an Invoice.
For payment processing, please refer to Invoice.**

The recipient of these goods agrees to comply with all export regulations governing the transfer, sale, lease, or use of these goods.
Diversion contrary to U.S. Law is prohibited.

CERTIFICATE OF CONFORMANCE

It is hereby certified that Aviall Services, Inc., is an approved distributor and meets all requirements of ISO9001, AS9100, AS9120 and AC 00-56 at 2750 Regent Blvd. DFW Airport, Texas. The products, articles or parts referenced on this document are in new or overhauled condition and were purchased from an approved source (FAA, EASA, TCCA, Mil Spec or Commercial). The Original Manufacturers' Certifications are maintained on file at our central office location, and copies are available upon request or at Aviall.com. For overhauled or repaired products, articles or parts, the original FAA 8130-3 / EASA Form 1 (Return to Service) or Yellow Tag, from the FAA/JAA/EASA approved Air Agency are attached to the component.

10MAR17
Date

DISCOUNT TERMS APPLY ONLY TO SUB TOTAL. ALL RETURNED MERCHANDISE SUBJECT TO HANDLING FEE. THIS IS TO CERTIFY THAT AVIALL HAS COMPLIED WITH THE PROVISIONS OF THE FAIR LABOR ACT OF 1938 AMENDED.

CUSTOMER COPY



Niacc-Avitech Technologies

245 W. Dakota Ave.
 Clovis, CA 93612
 Telephone: 559-291-2500
 Telephone: 1-800-326-6966

FAA Approved CRS DC3R444L
 C/S Fax: 559-347-6815
 Purchasing Fax: 559-347-6816

WORK ORDER DISPOSITION REPORT

Page: 1 Of 2

Aircraft Tail # : TSO : TSN : CSO : CSN : Engine Serial # : Engine Model : Position : Tire Rej Code : Work Performed : INSPECTED	F.O.B. : Account No. [AEROVISIONAS] AeroVision Aircraft Services, LLC 620 E. Ellis Road Muskegon, MI 49441 UNITED STATES Tel. : 231 799-9000 Fax : 231 799-9901
For Customer : AeroVision Aircraft Services, LLC S.O. No. : 198302	Line No. : 3

Cust P.O. : S2684	P/N : APS-7-1000	Ref 01: :
Shop : 26	Desc : Transducer, Anti-Ice	Ref 02: :
Ship Via : FEDEX GRND	S/N : 6558-3-32	Ref 03: :
Ship To : MUSKEGON MI	MFG :	Manual :
Acct# : 277277700	Qty : 1.00	Cond As: SV
Completed P/N : APS-7-1000	S/N As :	Revision :
Company : 1	Division :	Department :
Order Date : Nov-19-2015	Received Date : Nov-19-2015	Due Date : Dec-03-2015
		Print Date : Nov-23-2015

WORK ORDER No. 362396

Reported By Customer

PLEASE TEST / INSPECT FOR SERVICEABILITY AND PROVIDE A REPAIR QUOTATION PRIOR TO PROCEEDING WITH REPAIRS.
 PLEASE PROVIDE A DISPOSITION FOR THE ABOVE MENTIONED PARTS. *HOLD FOR CUSTOMER APPROVAL*
 REFERENCE THE LAST AIRCRAFT SERIAL NUMBER THAT THE PART WAS REMOVED FROM IN BOX 12 OF THE AUTHORIZED RELEASE CERTIFICATE (8130-3, 24-0078, EASA FORM 1). COMPONENT(S) TO BE REPAIRED IAW FAA APPROVED REPAIR PROCESSES. IN THE EVENT A COMPONENT IS DEEMED UNREPAIRABLE, THE COMPONENT WILL BE TAGGED UNSERVICEABLE AND RETURNED TO AVI. THE COMPONENT WILL INCLUDE AN IDENTIFICATION TAG INDICATING PART NUMBER, SERIAL NUMBER, AIRCRAFT SERIAL NUMBER, AND REASON FOR BEING UNREPAIRABLE.

Discrepancies

UNIT RECEIVED WITH TOOL DAMAGE TO EXTERIOR BODY. UNIT TESTED AS RECEIVED WITH NO FAULTS FOUND. DAMAGE DOES NOT AFFECT OPERATION.

Corrective Action

RETURN TO SERVICE.

Remarks

TECHNICIAN: [Signature] DATE: 11/23/2015
 INSPECTOR: [Signature] DATE: 11-23-15

Continued on next page...

AeroVision Aircraft Services

620 E. Ellis Road
Muskegon, MI 49441
United States
Ph: 231-799-9000, Fax: 231-799-9901,

Packing Slip

Invoice #: S7900
Invoice Date: 3/10/2017
Page: 1

Terms:
CREDIT CARD ORDER

Bill To:

Aerodynamics, Inc.
816 Sw 1ST Ave 3rd Floor
Portland, OR 97204
United States

Ship To:

Aerodynamics, Inc.
114 Townpark Lane
Suite 500
Kennesaw, GA 30144
United States

Order Date: 3/6/2017
Ship Date: 0
Sales Order: S5740
Customer #: A79

Cust. PO#: PO286030617RYYPLO1
FOB: MI
Buyer: Pete Lorenzo
AWB: 599094201976

Ship Via: FE Priority Overhgh
Ship Via Acc: 660232168
Ship Order: S8284
Tracking #: 599094201976

Item	Part Number/Description	Shipped	BackOrd	CD	Unit Price	UOM	Total Amount
1	7271005-501 PSU Serial #: PECD3986 Loc/Whse: N-5H5 AERO-2	1.00	0.00	AR			
2	7271005-501 PSU Serial #: PECD3981 Loc/Whse: N-2I5 AERO-2	1.00	0.00	AR			
3	7271005-501 PSU Serial #: PECD4498 Loc/Whse: N-6L7 AERO-2	1.00	0.00	AR			
4	7271001-519 PSU Serial #: PE15535 Loc/Whse: D-8B7 AERO-2	1.00	0.00	AR			
5	7271001-519 PSU Serial #: PECD18522 Loc/Whse: U-WC7 AERO-2	1.00	0.00	AR			
6	7271001-519 PSU Serial #: PE05236 Loc/Whse: N-2Q2 AERO-2	1.00	0.00	SV			

Any past due balances will be subject to 1.5% interest per month. AVI shall be entitled to recover its costs of collection of any sums not paid when due including reasonable attorney's fees, whether or not suit is filed. Returns must be accompanied by an AVI issued "Returned Material Authorization" (RMA) which can be obtained by contacting AVI. All original documentation, including certifications, must be returned with the part(s). All returns are subject to a 15% restocking fee and AVI reserves the right to deny RMA's for parts shipped thirty (30) days or more after invoice date.

Special Instructions:

AeroVision Aircraft Services

620 E. Ellis Road
Muskegon, MI 49441
United States
Ph: 231-799-9000, Fax: 231-799-9901,

Packing Slip

Invoice #: S7900
Invoice Date: 3/10/2017
Page: 1

Terms:
CREDIT CARD ORDER

Bill To:

Aerodynamics, Inc.
816 Sw 1ST Ave 3rd Floor
Portland, OR 97204
United States

Ship To:

Aerodynamics, Inc.
114 Townpark Lane
Suite 500
Kennesaw, GA 30144
United States

Order Date: 3/6/2017
Ship Date: 0
Sales Order: S5740
Customer #: A79

Cust. PO#: PO286030617RYYPLO1
FOB: MI
Buyer: Pete Lorenzo
AWB: 599094201976

Ship Via: FE Priority Overnight
Ship Via Acc: 660232168
Ship Order: S8284
Tracking #: 599094201976

Item	Part Number/Description	Shipped	BackOrd	CD	Unit Price	UOM	Total Amount
1	7271005-501 PSU Serial #: PECD3986 Loc/Whse: N-5H5 AERO-2	1.00	0.00	AR			
2	7271005-501 PSU Serial #: PECD3981 Loc/Whse: N-2I5 AERO-2	1.00	0.00	AR			
3	7271005-501 PSU Serial #: PECD4498 Loc/Whse: N-6L7 AERO-2	1.00	0.00	AR			
4	7271001-519 PSU Serial #: PE15535 Loc/Whse: D-8B7 AERO-2	1.00	0.00	AR			
5	7271001-519 PSU Serial #: PECD18522 Loc/Whse: U-WC7 AERO-2	1.00	0.00	AR			
6	7271001-519 PSU Serial #: PE05236 Loc/Whse: N-2Q2 AERO-2	1.00	0.00	SV			

Any past due balances will be subject to 1.5% interest per month. AVI shall be entitled to recover its costs of collection of any sums not paid when due including reasonable attorney's fees, whether or not suit is filed. Returns must be accompanied by an AVI issued "Returned Material Authorization" (RMA) which can be obtained by contacting AVI. All original documentation, including certifications, must be returned with the part(s). All returns are subject to a 15% restocking fee and AVI reserves the right to deny RMA's for parts shipped thirty (30) days or more after invoice date.

Special Instructions:

Authorized Signature:

AeroVision Aircraft Services

620 E. Ellis Road
Muskegon, MI 49441
United States
Ph: 231-799-9000, Fax: 231-799-9901,

Packing Slip

Invoice #: S6463
Invoice Date: 11/3/2016
Page: 1

Terms:
PREPAY WIRE ONLY

Bill To:

Aerodynamics, Inc.
816 Sw 1ST Ave 3rd Floor
Portland, OR 97204
United States

Ship To:

Aerodynamics, Inc.
114 Townpark Lane
Suite 500
Kennesaw, GA 30144
United States

Order Date: 11/2/2016
Ship Date: 0
Sales Order: S5007
Customer #: A79

Cust. PO#: PO359110216RYMO01
FOB: MI
Buyer: Marc Owens
AWB: 599094190195

Ship Via: FE Priority Overnigh
Ship Via Acc: 660232168
Ship Order: S7018
Tracking #: 599094190195

Item	Part Number/Description	Shipped	BackOrd	CD	Unit Price	UOM	Total Amount
1	7271005-501 PSU Serial #: PECD4533 Loc/Whse: N-5H5 AERO-2	1.00	0.00	AR			
2	7271005-501 PSU Serial #: PECD3988 Loc/Whse: N-5H5 AERO-2	1.00	0.00	AR			

Any past due balances will be subject to 1.5% interest per month. AVI shall be entitled to recover its costs of collection of any sums not paid when due including reasonable attorney's fees, whether or not suit is filed. Returns must be accompanied by an AVI issued "Returned Material Authorization" (RMA) which can be obtained by contacting AVI. All original documentation, including certifications, must be returned with the part(s). All returns are subject to a 15% restocking fee and AVI reserves the right to deny RMA's for parts shipped thirty (30) days or more after invoice date.

Special Instructions:

Authorized Signature:

AeroVision Aircraft Services

620 E. Ellis Road
Muskegon, MI 49441
United States
Ph: 231-799-9000, Fax: 231-799-9901,

Packing Slip

Invoice #: S7900
Invoice Date: 3/10/2017
Page: 1

Terms:
CREDIT CARD ORDER

Bill To:

Aerodynamics, Inc.
816 Sw 1ST Ave 3rd Floor
Portland, OR 97204
United States

Ship To:

Aerodynamics, Inc.
114 Townpark Lane
Suite 500
Kennesaw, GA 30144
United States

Order Date: 3/6/2017
Ship Date: 0
Sales Order: S5740
Customer #: A79

Cust. PO#: PO286030617RYYPL01
FOB: MI
Buyer: Pete Lorenzo
AWB: 599094201976

Ship Via: FE Priority Overnight
Ship Via Acc: 660232168
Ship Order: S8284
Tracking #: 599094201976

Item	Part Number/Description	Shipped	BackOrd	CD	Unit Price	UOM	Total Amount
1	7271005-501 PSU Serial #: PECD3986 Loc/Whse: N-5H5 AERO-2	1.00	0.00	AR			
2	7271005-501 PSU Serial #: PECD3981 Loc/Whse: N-2I5 AERO-2	1.00	0.00	AR			
3	7271005-501 PSU Serial #: PECD4498 Loc/Whse: N-6L7 AERO-2	1.00	0.00	AR			
4	7271001-519 PSU Serial #: PE15535 Loc/Whse: D-8B7 AERO-2	1.00	0.00	AR			
5	7271001-519 PSU Serial #: PECD18522 Loc/Whse: U-WC7 AERO-2	1.00	0.00	AR			
6	7271001-519 PSU Serial #: PE05236 Loc/Whse: N-2Q2 AERO-2	1.00	0.00	SV			

Any past due balances will be subject to 1.5% interest per month. AVI shall be entitled to recover its costs of collection of any sums not paid when due including reasonable attorney's fees, whether or not suit is filed. Returns must be accompanied by an AVI issued "Returned Material Authorization" (RMA) which can be obtained by contacting AVI. All original documentation, including certifications, must be returned with the part(s). All returns are subject to a 15% restocking fee and AVI reserves the right to deny RMA's for parts shipped thirty (30) days or more after invoice date.

Special Instructions:



Niacc-Avitech Technologies

245 W. Dakota Ave.
Clovis, CA 93612
Telephone: 559-291-2500
Telephone: 1-800-326-6966

FAA Approved CRS DC3R444L
C/S Fax: 559-347-6815
Purchasing Fax: 559-347-6816

WORK ORDER DISPOSITION REPORT

Page: 2 Of 2

WORK ORDER No. 362396

INSPECTED AND TESTED IAW KULITE ACMM ATA 30-10-00, 30-12-12, 30-11-11, REV 5 DATED 3/3/11.

TECHNICIAN: [Signature] DATE: 11/23/2015

INSPECTOR: [Signature] DATE: 11-23-15

1 País (Country) BRASIL	2 Título (Title) AGÊNCIA NACIONAL DE AVIAÇÃO CIVIL (BRAZILIAN CIVIL AVIATION AUTHORITY) CERTIFICADO DE LIBERAÇÃO AUTORIZADA (AUTHORIZED RELEASE CERTIFICATE) ETIQUETA DE APROVAÇÃO DE AERONAVEGABILIDADE (AIRWORTHINESS APPROVAL TAG) FORMULÁRIO (FORM) SEGVÃO 003	3 Certificado No. (Certificate No./System tracking Ref.) 2001426252
-----------------------------------	---	--

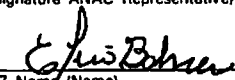
4 Empresa (Organization) EMBRAER - Empresa Brasileira de Aeronáutica S/A - Brasil 276 S.W. 34th Street - Ft. Lauderdale. FL 33375 - COP E-7203-01	5 Ordem de Serviço/Contrato/Nota Fiscal (Work Order, Contract or Invoice) 0023444761
---	---

6 Item (Item)	7 Descrição (Description)	8 Número da Peça (Part Number)	9 Aplicabilidade* (Eligibility)	10 Quantidade (Quantity)	11 Número de Série/Lote (Serial/Batch Number)	12 Categoria/Trabalho (Status/Work)
000001	RING, VENTILATOR, ELECTRONI	120-39372-001	TBV by installer	1	F01412536	NEW

13 Observações (Remarks)
Export. 0089231323 / 2016.

Partes com vida limitada devem ser acompanhadas de histórico de manutenção incluindo tempo total/ciclo total/tempo desde que novo. (Limited life parts must be accompanied by maintenance history including total time/total cycles/time since new.)

<p>14 Certifica que o (s) item (s) acima identificado (s) foi (foram) fabricados (s) em conformidade aos: (Certifies that article (s) identified above was (were) manufactured in conformity to:)</p> <p><input checked="" type="checkbox"/> dados de projeto aprovados e está (ão) em condição segura de operação (approved design data and are in a condition for safe operation)</p> <p><input type="checkbox"/> dados de projeto não aprovado especificados no bloco 13 (non-approved design data specified in block 13)</p>	<p>19 <input type="checkbox"/> Retorno ao serviço de acordo com RBHA 43.9 (Return to service in accordance with RBHA 43.9) <input type="checkbox"/> Outros regulamentos especificados no bloco 13 (Others regulations specified in block 13)</p> <p>Certifica que, a menos especificado no bloco 13, o trabalho especificado no bloco 12, e descrito no bloco 13, foi executado de acordo com o Regulamento Brasileiro de Homologação Aeronáutica - RBHA 43-0, em relação ao trabalho realizado, a (s) peça (s) é (são) aprovada (s) para retorno ao serviço.</p> <p>(Certifies that, unless otherwise specified in block 13, the work identified in block 12 and described in block 13, was accomplished in accordance with Brazilian Regulation for Aeronautical Certification - RBHA 43 and in respect to the work performed the part (s) is (are) approved for return to service.)</p>
--	--

15 Assinatura do Representante da ANAC (Signature ANAC Representative) 	16 No. Autorização da ANAC (ANAC Authorization No.) 2004C09-14	20 Pessoa Autorizada (Authorized Signature)	21 No. CHE/CHETA (Certificate Number)
17 Nome (Name) ELCIO BOHRER	18 Data (Date) 30/JUL/16	22 Nome (Name)	23 Data (Date)

* O INSTALADOR DEVE FAZER VERIFICAÇÃO CRUZADA DA APLICABILIDADE ATRAVÉS DOS DADOS TÉCNICOS APLICÁVEIS (INSTALLER MUST CROSS CHECK ELIGIBILITY WITH APPLICABLE TECHNICAL DATA)

RESPONSABILIDADE DO USUÁRIO / INSTALADOR
(USER / INSTALLER RESPONSIBILITY)

É IMPORTANTE COMPREENDER QUE A EXISTÊNCIA DESTES DOCUMENTOS POR SI SÓ NÃO CONSTITUI AUTOMATICAMENTE UMA AUTORIZAÇÃO PARA INSTALAR A PARTE/COMPONENTE/CONJUNTO.
(IT IS IMPORTANT TO UNDERSTAND THAT THE EXISTENCE OF THIS DOCUMENT ALONE DOES NOT AUTOMATICALLY CONSTITUTE AUTHORITY TO INSTALL THE PART/COMPONENT/ASSEMBLY.)

SE O TRABALHO DO USUÁRIO/INSTALADOR É REALIZADO DE ACORDO COM OS REGULAMENTOS NACIONAIS DE UMA AUTORIDADE DE AERONAVEGABILIDADE DIFERENTE DA AUTORIDADE DE AERONAVEGABILIDADE DO PAÍS ESPECIFICADO NO BLOCO 1, É ESSENCIAL QUE O USUÁRIO/INSTALADOR ASSEGURE QUE A SUA AUTORIDADE DE AERONAVEGABILIDADE ACEITA PARTES/COMPONENTES/CONJUNTOS DA AUTORIDADE DE AERONAVEGABILIDADE DO PAÍS ESPECIFICADO NO BLOCO 1.
(WHERE THE USER/INSTALLER WORK IS PERFORMED IN ACCORDANCE WITH THE NATIONAL REGULATIONS OF AN AIRWORTHINESS AUTHORITY DIFFERENT THAN THE AIRWORTHINESS AUTHORITY OF THE COUNTRY SPECIFIED IN BLOCK 1, IT IS ESSENTIAL THAT THE USER/INSTALLER ENSURES THAT HIS/HER AIRWORTHINESS AUTHORITY ACCEPTS PARTS/COMPONENTS/ASSEMBLIES FROM THE AIRWORTHINESS AUTHORITY OF THE COUNTRY SPECIFIED IN BLOCK 1.)

AS DECLARAÇÕES NOS BLOCOS 14 E 19 NÃO CONSTITUEM UM CERTIFICADO DE INSTALAÇÃO. EM TODOS OS CASOS, OS REGISTROS DE MANUTENÇÃO DA AERONAVE DEVEM CONTER UM CERTIFICADO DE INSTALAÇÃO EMITIDO DE ACORDO COM REGULAMENTOS NACIONAIS PELO USUÁRIO/INSTALADOR ANTES QUE A AERONAVE POSSA SER LIBERADA PARA VÔO.
(STATEMENTS IN BLOCK 14 AND 19 DO NOT CONSTITUTE INSTALLATION CERTIFICATION. IN ALL CASES, AIRCRAFT MAINTENANCE RECORDS MUST CONTAIN AN INSTALLATION CERTIFICATION ISSUED IN ACCORDANCE WITH THE NATIONAL REGULATIONS BY THE USER/INSTALLER BEFORE THE AIRCRAFT MAY BE FLOWN.)

1 País (Country) BRASIL	2 Título (Title) AGÊNCIA NACIONAL DE AVIAÇÃO CIVIL (BRAZILIAN CIVIL AVIATION AUTHORITY) CERTIFICADO DE LIBERAÇÃO AUTORIZADA (AUTHORIZED RELEASE CERTIFICATE) ETIQUETA DE APROVAÇÃO DE AERONAVEGABILIDADE (AIRWORTHINESS APPROVAL TAG) FORMULÁRIO (FORM) SEGVÔO 003	3 Certificado No. (Certificate No./System tracking Ref.) 2001393845
-----------------------------------	---	--

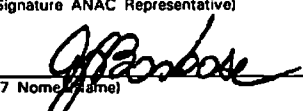
4 Empresa (Organization) EMBRAER - Empresa Brasileira de Aeronáutica S/A - Brasil 276 S.W. 34th Street - Ft. Lauderdale, FL 33315 - COP E-7203-01	5 Ordem de Serviço/Contrato/Nota Fiscal (Work Order, Contract or Invoice) 0023402300
---	---

6 Item (Item)	7 Descrição (Description)	8 Número da Peça (Part Number)	9 Aplicabilidade* (Eligibility)	10 Quantidade (Quantity)	11 Número de Série/Lote (Serial/Batch Number)	12 Categoria/Trabalho (Status/Work)
000001	RING	69494J336	TBV by installer	1	8007623620	NEW

13 Observações (Remarks)
Export. 0089154925 / 2016.

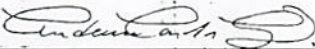
Partes com vida limitada devem ser acompanhadas de histórico de manutenção incluindo tempo total/ciclo total/tempo desde que novo. (Limited life parts must be accompanied by maintenance history including total time/total cycles/time since new.)

<p>14 Certifica que o (s) item (s) acima identificado (s) foi (foram) fabricados (s) em conformidade aos: (Certifies that article (s) identified above was (were) manufactured in conformity to):</p> <p><input checked="" type="checkbox"/> dados de projeto aprovados e está (ão) em condição segura de operação (approved design data and are in a condition for safe operation)</p> <p><input type="checkbox"/> dados de projeto não aprovado especificados no bloco 13 (non-approved design data specified in block 13)</p>	<p>19 <input type="checkbox"/> Retorno ao serviço de acordo com RBHA 43.9 <input type="checkbox"/> Outros regulamentos especificados no bloco 13 (Return to service in accordance with RBHA 43.9) (Others regulations specified in block 13)</p> <p>Certifica que, a menos especificado no bloco 13, o trabalho especificado no bloco 12, e descrito no bloco 13, foi executado de acordo com o Regulamento Brasileiro de Homologação Aeronáutica - RBHA 43.9, em relação ao trabalho realizado, a (s) peça (s) é (são) aprovada (s) para retorno ao serviço. (Certifies that, unless otherwise specified in block 13, the work identified in block 12 and described in block 13, was accomplished in accordance with Brazilian Regulation for Aeronautical Certification - RBHA 43 and in respect to the work performed the part (s) is (are) approved for return to service.)</p>
--	---

15 Assinatura do Representante da ANAC (Signature ANAC Representative) 	16 No. Autorização da ANAC (ANAC Authorization No.) 2003C09-21	20 Pessoa Autorizada (Authorized Signature)	21 No. CHE/CHETA (Certificate Number)
17 Nome (Name) FRANCISCO ANTONIO BARBOSA	18 Data (Date) 29/JUN/16	22 Nome (Name)	23 Data (Date)

* O INSTALADOR DEVE FAZER VERIFICAÇÃO CRUZADA DA APLICABILIDADE ATRAVÉS DOS DADOS TÉCNICOS APLICÁVEIS (INSTALLER MUST CROSS CHECK ELIGIBILITY WITH APPLICABLE TECHNICAL DATA)

<p>RESPONSABILIDADE DO USUÁRIO / INSTALADOR</p> <p>É IMPORTANTE COMPREENDER QUE A EXISTÊNCIA DESTES DOCUMENTOS POR SI SÓ NÃO CONSTITUI AUTOMATICAMENTE UMA AUTORIZAÇÃO PARA INSTALAR A PARTE/COMPONENTE/CONJUNTO.</p> <p>SE O TRABALHO DO USUÁRIO/INSTALADOR É REALIZADO DE ACORDO COM OS REGULAMENTOS NACIONAIS DE UMA AUTORIDADE DE AERONAVEGABILIDADE DIFERENTE DA AUTORIDADE DE AERONAVEGABILIDADE DO PAÍS ESPECIFICADO NO BLOCO 1, É ESSENCIAL QUE O USUÁRIO/INSTALADOR ASSEGURE QUE A SUA AUTORIDADE DE AERONAVEGABILIDADE ACEITA PARTES/COMPONENTES/CONJUNTOS DA AUTORIDADE DE AERONAVEGABILIDADE DO PAÍS ESPECIFICADO NO BLOCO 1.</p> <p>AS DECLARAÇÕES NOS BLOCOS 14 E 19 NÃO CONSTITUEM UM CERTIFICADO DE INSTALAÇÃO. EM TODOS OS CASOS, OS REGISTROS DE MANUTENÇÃO DA AERONAVE DEVEM CONTER UM CERTIFICADO DE INSTALAÇÃO EMITIDO DE ACORDO COM REGULAMENTOS NACIONAIS PELO USUÁRIO/INSTALADOR ANTES QUE A AERONAVE POSSA SER LIBERADA PARA VÔO.</p>	<p>(USER / INSTALLER RESPONSIBILITY)</p> <p>(IT IS IMPORTANT TO UNDERSTAND THAT THE EXISTENCE OF THIS DOCUMENT ALONE DOES NOT AUTOMATICALLY CONSTITUTE AUTHORITY TO INSTALL THE PART/COMPONENT/ASSEMBLY.)</p> <p>(WHERE THE USER/INSTALLER WORK IS PERFORMED IN ACCORDANCE WITH THE NATIONAL REGULATIONS OF AN AIRWORTHINESS AUTHORITY DIFFERENT THAN THE AIRWORTHINESS AUTHORITY OF THE COUNTRY SPECIFIED IN BLOCK 1, IT IS ESSENTIAL THAT THE USER/INSTALLER ENSURES THAT HIS/HER AIRWORTHINESS AUTHORITY ACCEPTS PARTS/COMPONENTS/ASSEMBLIES FROM THE AIRWORTHINESS AUTHORITY OF THE COUNTRY SPECIFIED IN BLOCK 1.)</p> <p>(STATEMENTS IN BLOCK 14 AND 19 DO NOT CONSTITUTE INSTALLATION CERTIFICATION. IN ALL CASES, AIRCRAFT MAINTENANCE RECORDS MUST CONTAIN AN INSTALLATION CERTIFICATION ISSUED IN ACCORDANCE WITH THE NATIONAL REGULATIONS BY THE USER/INSTALLER BEFORE THE AIRCRAFT MAY BE FLOWN.)</p>
---	---

1 País (Country) BRASIL		2 Título (Title) AGÊNCIA NACIONAL DE AVIAÇÃO CIVIL (BRAZILIAN CIVIL AVIATION AUTHORITY) CERTIFICADO DE LIBERAÇÃO AUTORIZADA (AUTHORIZED RELEASE CERTIFICATE) ETIQUETA DE APROVAÇÃO DE AERONAVEGABILIDADE (AIRWORTHINESS APPROVAL TAG) FORMULÁRIO (FORM) SEGVÃO 003				3 Certificado No. (Certificate No./System tracking Ref.) 2001393540							
4 Empresa (Organization) EMBRAER - Empresa Brasileira de Aeronáutica S/A - Brasil 276 S.W. 34th Street - Ft. Lauderdale. FL 33315 - COP E-7203-01				5 Ordem de Serviço/Contrato/Nota Fiscal (Work Order, Contract or Invoice) 0023402300									
6 Item (Item)	7 Descrição (Description)	8 Número da Peça (Part Number)	9 Aplicabilidade* (Eligibility)	10 Quantidade (Quantity)	11 Número de Série/Lote (Serial/Batch Number)	12 Categoria/Trabalho (Status/Work)							
000001	GASKET	68-1444	TBV by installer	1	8007140788	NEW							
000002	FITTING	AN815-4J	TBV by installer	1	C012571142	NEW							
000003	RING	69494J344	TBV by installer	1	8006723712	NEW							
000004	O'RING-HYDRAULIC SYS, EPD	NAS1612-10	TBV by installer	1	8004654749	NEW							
13 Observações (Remarks) Export. 0089155040 / 2016.													
Partes com vida limitada devem ser acompanhadas de histórico de manutenção incluindo tempo total/ciclo total/tempo desde que novo. (Limited life parts must be accompanied by maintenance history including total time/total cycles/time since new.)													
14 Certifica que o (s) item (s) acima identificado (s) foi (foram) fabricados (s) em conformidade aos: (Certifies that article (s) identified above was (were) manufactured in conformity to:)			19 <input type="checkbox"/> Retorno ao serviço de acordo com RBHA 43.9 <input type="checkbox"/> Outros regulamentos especificados no bloco 13 (Return to service in accordance with RBHA 43.9) (Others regulations specified in block 13)										
<input checked="" type="checkbox"/> dados de projeto aprovados e está (ão) em condição segura de operação (approved design data and are in a condition for safe operation) <input type="checkbox"/> dados de projeto não aprovado especificados no bloco 13 (non-approved design data specified in block 13)			Certifica que, a menos especificado no bloco 13, o trabalho especificado no bloco 12, e descrito no bloco 13, foi executado de acordo com o Regulamento Brasileiro de Homologação Aeronáutica - RBHA 43 e, em relação ao trabalho realizado, a (s) peça (s) é (são) aprovada (s) para retorno ao serviço. (Certifies that, unless otherwise specified in block 13, the work identified in block 12 and described in block 13, was accomplished in accordance with Brazilian Regulation for Aeronautical Certification - RBHA 43 and in respect to the work performed the part (s) is (are) approved for return to service.)										
15 Assinatura do Representante da ANAC (Signature ANAC Representative) 		16 No. Autorização da ANAC (ANAC Authorization No.) 2006C11-01	20 Pessoa Autorizada (Authorized Signature)		21 No. CHE/CHETA (Certificate Number)								
17 Nome (Name) ANDERSON CARLOS GONCALVES		18 Data (Date) 29/JUN/16	22 Nome (Name)		23 Data (Date)								
<p>* O INSTALADOR DEVE FAZER VERIFICAÇÃO CRUZADA DA APLICABILIDADE ATRAVÉS DOS DADOS TÉCNICOS APLICÁVEIS (INSTALLER MUST CROSS CHECK ELIGIBILITY WITH APPLICABLE TECHNICAL DATA)</p> <p>RESPONSABILIDADE DO USUÁRIO / INSTALADOR</p> <p>É IMPORTANTE COMPREENDER QUE A EXISTÊNCIA DESTES DOCUMENTOS POR SI SÓ NÃO CONSTITUI AUTOMATICAMENTE UMA AUTORIZAÇÃO PARA INSTALAR A PARTE/COMPONENTE/CONJUNTO.</p> <p>SE O TRABALHO DO USUÁRIO/INSTALADOR É REALIZADO DE ACORDO COM OS REGULAMENTOS NACIONAIS DE UMA AUTORIDADE DE AERONAVEGABILIDADE DIFERENTE DA AUTORIDADE DE AERONAVEGABILIDADE DO PAÍS ESPECIFICADO NO BLOCO 1, É ESSENCIAL QUE O USUÁRIO/INSTALADOR ASSEGURE QUE A SUA AUTORIDADE DE AERONAVEGABILIDADE ACEITA PARTES/COMPONENTES/CONJUNTOS DA AUTORIDADE DE AERONAVEGABILIDADE DO PAÍS ESPECIFICADO NO BLOCO 1.</p> <p>AS DECLARAÇÕES NOS BLOCOS 14 E 19 NÃO CONSTITUEM UM CERTIFICADO DE INSTALAÇÃO. EM TODOS OS CASOS, OS REGISTROS DE MANUTENÇÃO DA AERONAVE DEVEM CONTER UM CERTIFICADO DE INSTALAÇÃO EMITIDO DE ACORDO COM REGULAMENTOS NACIONAIS PELO USUÁRIO/INSTALADOR ANTES QUE A AERONAVE POSSA SER LIBERADA PARA VÔO.</p>							<p>(USER / INSTALLER RESPONSIBILITY)</p> <p>(IT IS IMPORTANT TO UNDERSTAND THAT THE EXISTENCE OF THIS DOCUMENT ALONE DOES NOT AUTOMATICALLY CONSTITUTE AUTHORITY TO INSTALL THE PART/COMPONENT/ASSEMBLY.)</p> <p>(WHERE THE USER/INSTALLER WORK IS PERFORMED IN ACCORDANCE WITH THE NATIONAL REGULATIONS OF AN AIRWORTHINESS AUTHORITY DIFFERENT THAN THE AIRWORTHINESS AUTHORITY OF THE COUNTRY SPECIFIED IN BLOCK 1, IT IS ESSENTIAL THAT THE USER/INSTALLER ENSURES THAT HIS/HER AIRWORTHINESS AUTHORITY ACCEPTS PARTS/COMPONENTS/ASSEMBLIES FROM THE AIRWORTHINESS AUTHORITY OF THE COUNTRY SPECIFIED IN BLOCK 1.)</p> <p>(STATEMENTS IN BLOCK 14 AND 19 DO NOT CONSTITUTE INSTALLATION CERTIFICATION. IN ALL CASES, AIRCRAFT MAINTENANCE RECORDS MUST CONTAIN AN INSTALLATION CERTIFICATION ISSUED IN ACCORDANCE WITH THE NATIONAL REGULATIONS BY THE USER/INSTALLER BEFORE THE AIRCRAFT MAY BE FLOWN.)</p>						

FROM:
 AERODYNAMICS INC.
 6544 HIGHLAND RD.
 WATERFORD, MI. 48327
 248-461-4900
 248-666-0554 FAX

Ship To: AVFLIGHT SAGINAW CORP
 AERODYNAMICS INC.

Attn. N259AD
 Phone #
 Fax #

Date 2/10/2010

PO # P1000170

Please reference purchase order number on all correspondence

QTY.	Part #	Description	Serial #	Comments
1	411-001-131	COFFEE MAKER	1408GD	REPAIRED UNIT

Requested by JANE DODMAN

Date needed by _____

Ship via GROUND

Tracking # _____

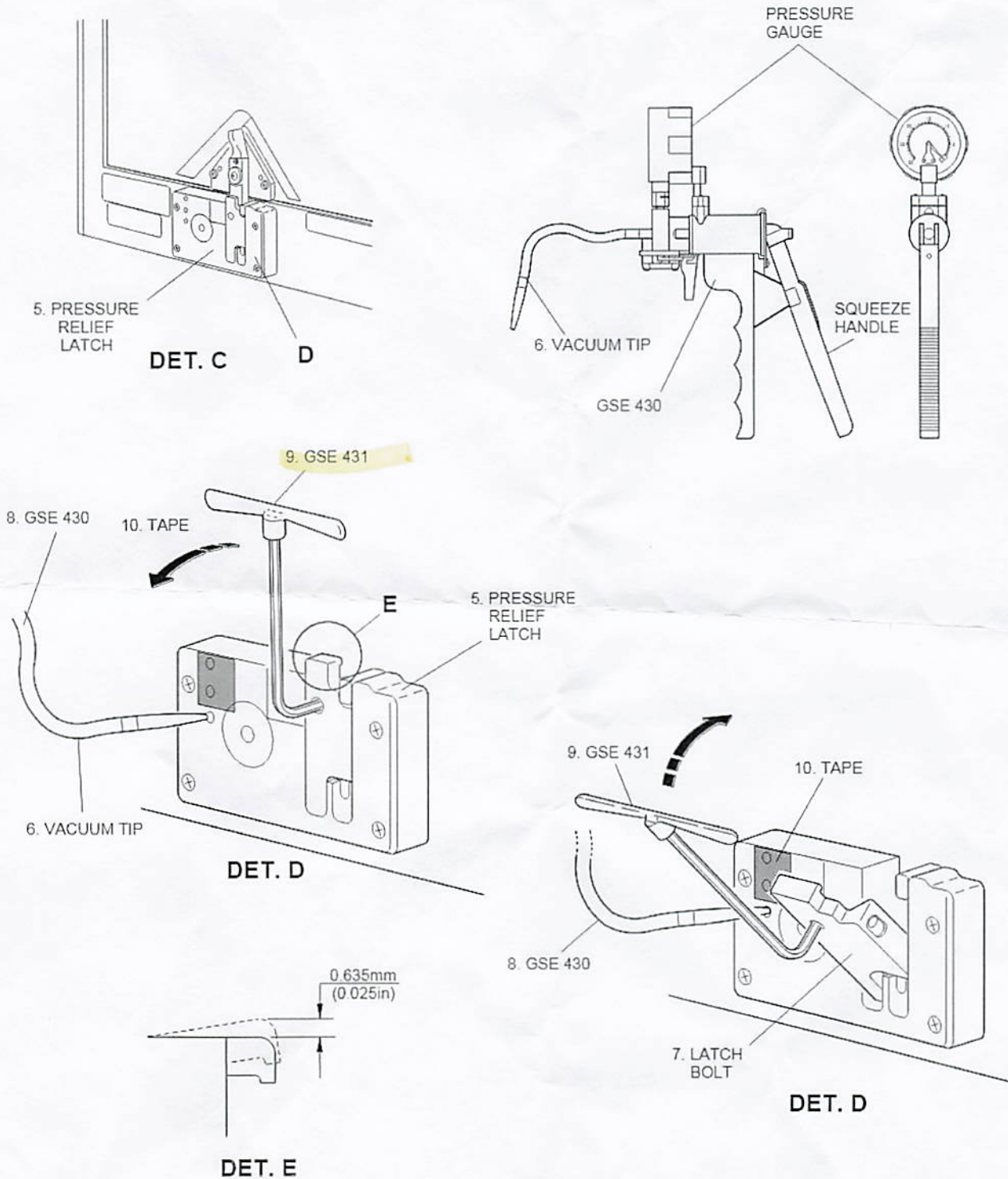
Acct # _____

Freight Out _____

Freight Inbound _____



EFFECTIVITY: FOR AIRCRAFT WITH REINFORCED COCKPIT DOOR
Cockpit Door - Operational Test
Figure 502 - Sheet 2



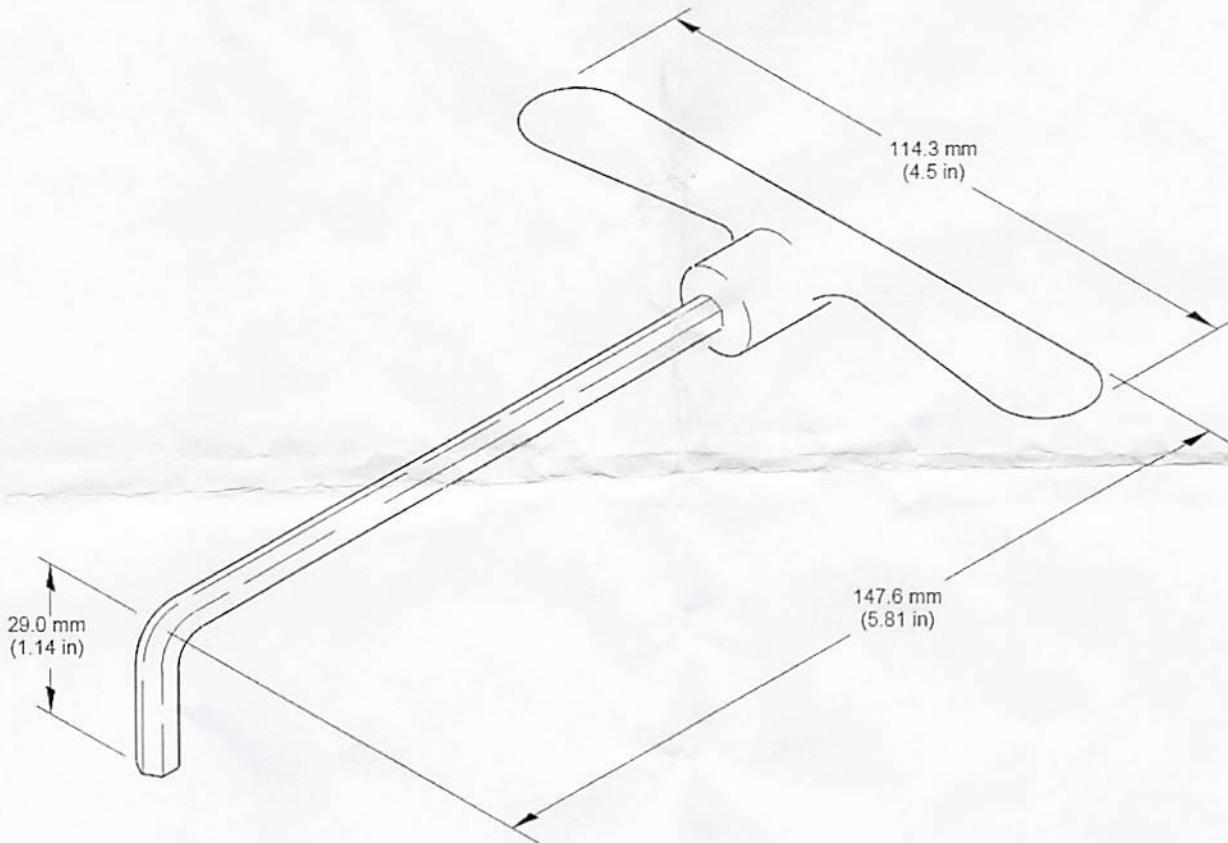
145AMM520583.MCE



PART NUMBER: B201010T-501

GSE NUMBER: 431

ITEM NAME: C&D BOLT ROTATION TOOL



145ITEM250005.MCE



FUNCTIONAL DESCRIPTION:

Used to rotate the latch bolt 90° from the closed to the open position.

EFFECTIVITY: AIRCRAFT WITH WINDOW REVEAL P/N 7134090-501 OR 7134090-503

QUANTITY: 01

MANUFACTURER: C&D AEROSPACE
